

**PERISTALTIC DOSING PUMP— series B3-V****TECHNICAL FEATURES**

- Maximum Flow Rate: up to 12 l/h (Adjustable Flow)
- Maximum Pressure: up to 3 bar
- Power Supply Range: 90÷260Vac 50/60Hz (\*)
- Hose: Santoprene® (\*)
- Connections: 4x6 mm
- Installation Kit: Included (\*)



(\*) Upon request: different configurations.

**B3-V** is a flow adjustment peristaltic dosing pump from 10 to 100%. The standard pump has Santoprene hose, upon request Silicon and Norprene® tubes.

Standard voltage that the B3-V can receive is 90÷260Vac 50/60Hz, upon request 12÷24V, while the rotation speed is: 27 rpm for 1 l/h version; 37 rpm for 4 l/h version and 70 rpm for 12 l/h version.

Standard B3-V pump with Santoprene® tube is supplied with a standard Water Treatment installation kit, composed of: 2m polyethylene tube (4x6mm), 2m PVC crystal tube (4x6mm), PP foot filter without check valve and 3/8" PVC-FPM injection valve. Upon request Detergent kit composed of 4m PVC crystal tube (4x6mm), Stainless Steel foot filter and 90° injection nipple for free discharge, and Brightener kit composed of 3m polyethylene tube (4x6mm), 2m PVC crystal tube (4x6mm), nickel plated brass ball injection valve and Stainless Steel foot filter with FPM check valve.



Water Treatment Kit



Detergent Kit



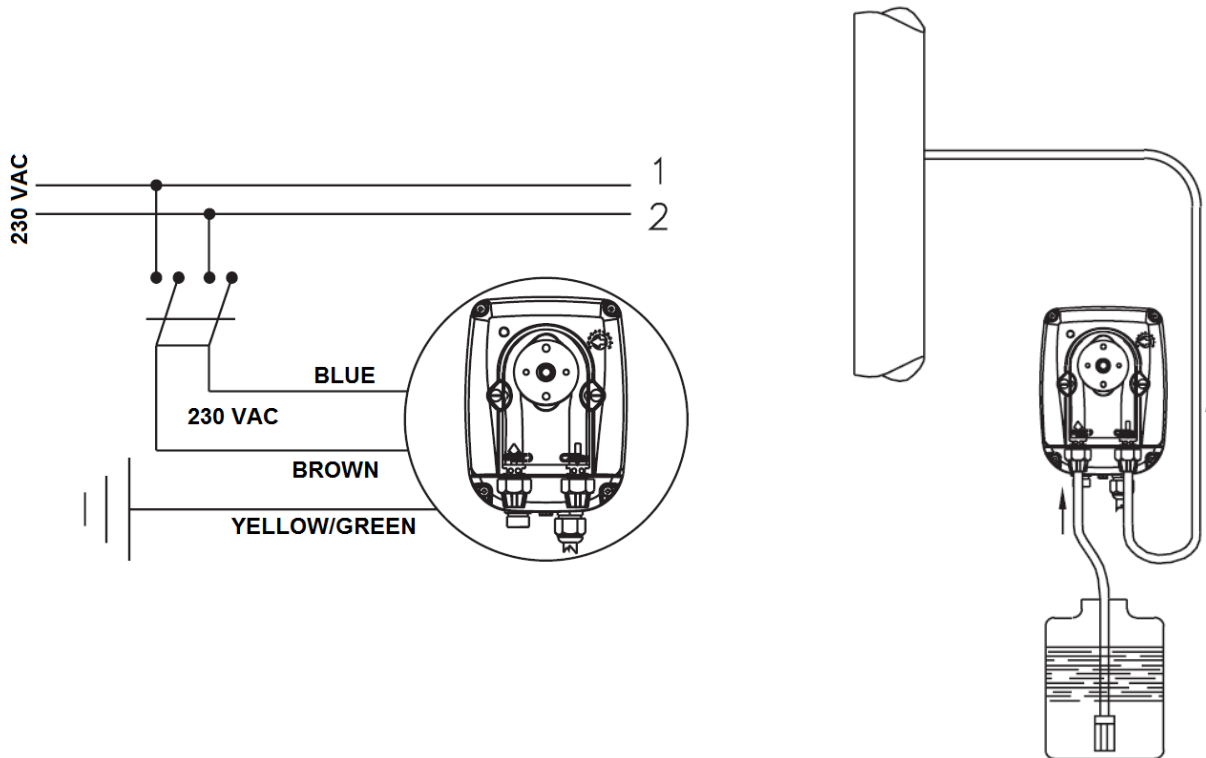
Brightener Kit

## PERISTALTIC DOSING PUMP— series B3-V

### CODE

Model	Type	Version	Liquidend
PBV	43 = B3-V	372 = 1 l/h - 3 bar (90÷260V)	74 = (with water treatment kit) Santoprene® tube
		365 = 4 l/h - 3 bar (90÷260V)	64 = (with detergent kit) Santoprene® tube
		373 = 12 l/h - 1 bar (90÷260V)	B2 = (with Brightener kit) Santoprene® tube
			60 = (with Brightener kit) Silicone tube
			P6 = (with water treatment kit) Norprene® tube

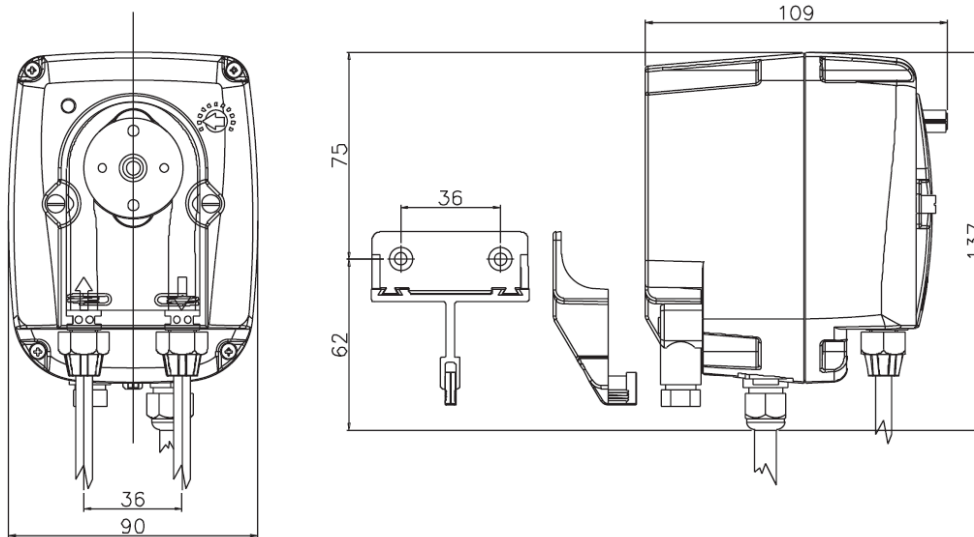
### INSTALLATION



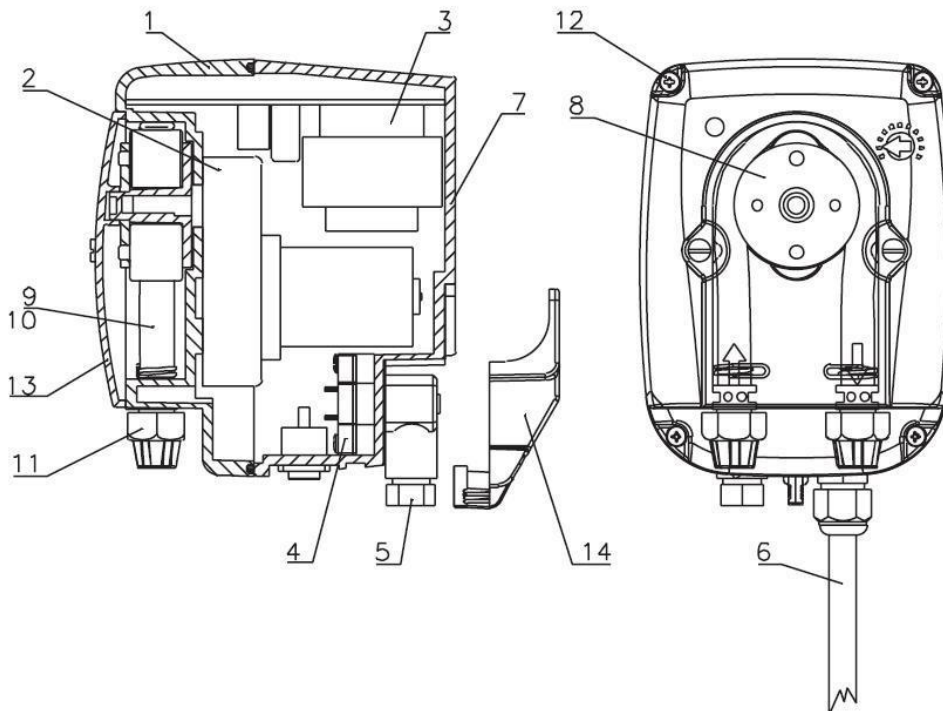
We reserve the right to make changes at any time without notice to colors, materials, specifications and models

## PERISTALTIC DOSING PUMP— series B3-V

### DIMENSIONS



### EXPLODED VIEW



We reserve the right to make changes at any time without notice to colors, materials, specifications and models