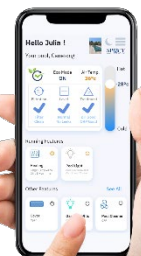
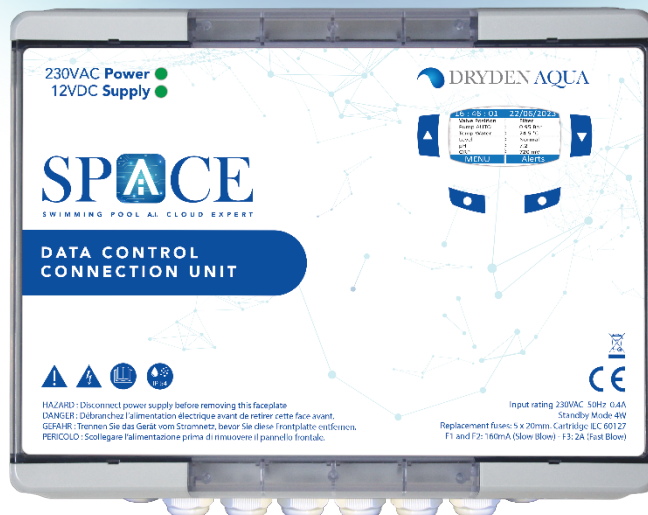




# SPACE

SWIMMING POOL AI. CLOUD EXPERT

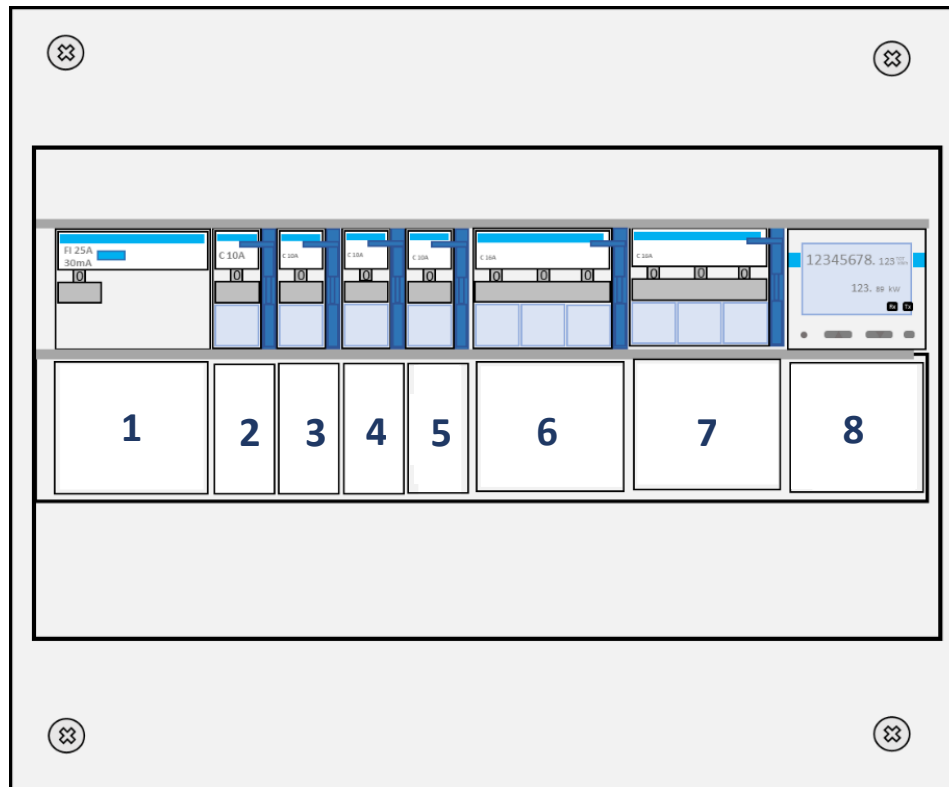
Wiring diagrams  
Schémas de câblage  
Anschlusspläne



## Electrical panel 400V PNE

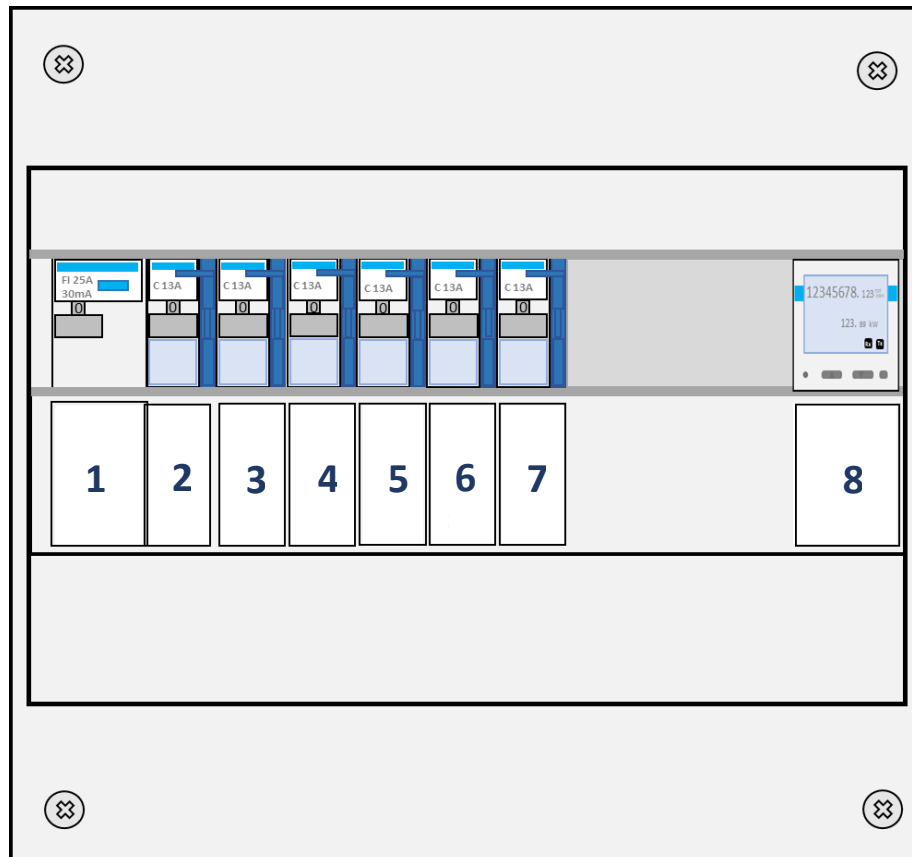
### Tableau électrique 400V PNE

### Schalttafel 400V PNE



- |   |                    |
|---|--------------------|
| 1. Differential circuit breaker 25A 30 mA | 2. Filtration pump |
| 3. Dryden SPACE                           | 4. Pool cover      |
| 5. Lights / Technical room plugs          | 6. Heat pump       |
| 7. Counter-current Jetstream              | 8. Energy meter    |

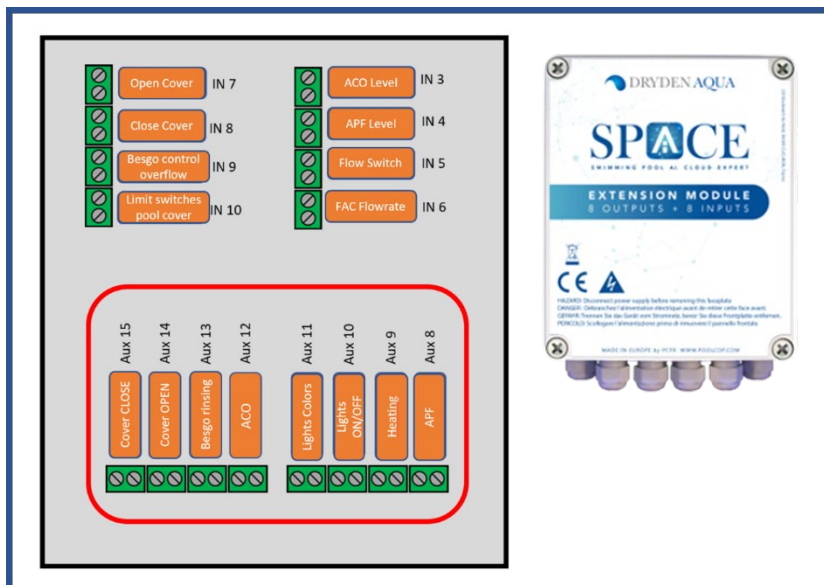
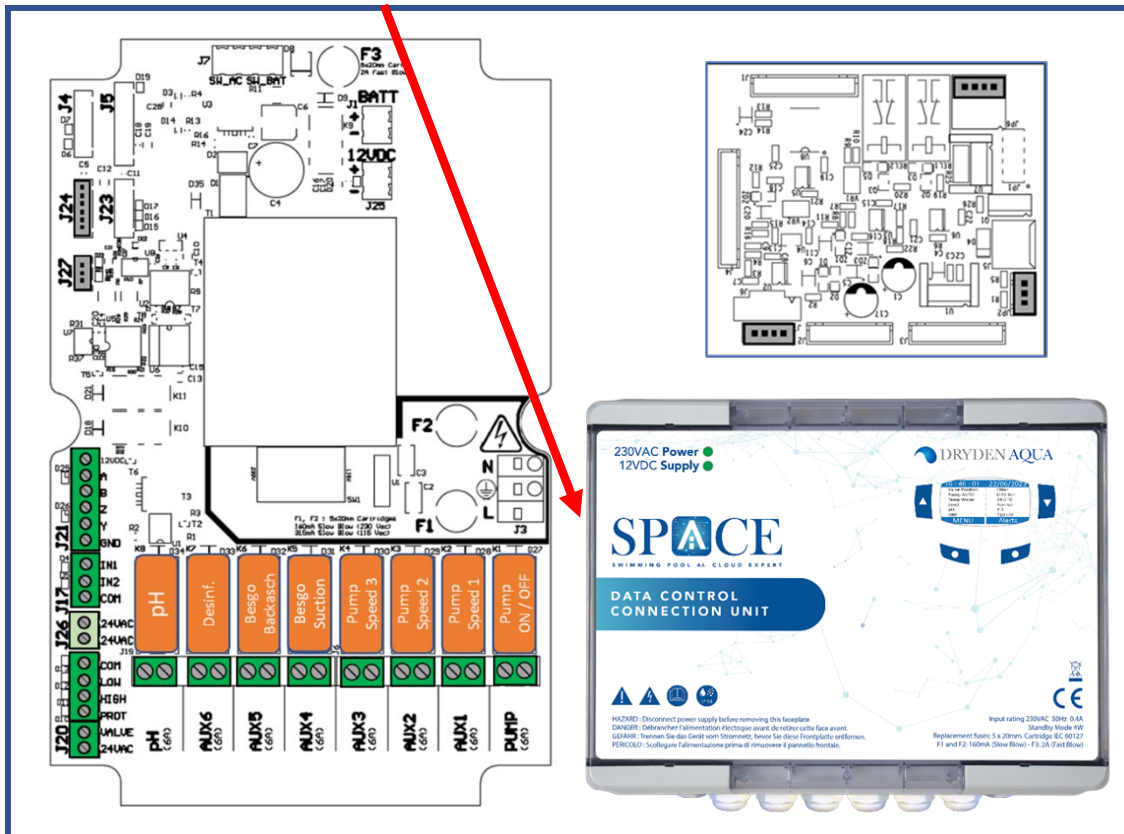
## Electrical panel 230V PNE



- |   |                    |
|---|--------------------|
| 1. Differential circuit breaker 25A 30 mA | 2. Filtration pump |
| 3. Dryden SPACE                           | 4. Pool cover      |
| 5. Lights / Technical room plugs          | 6. Heat pump       |
| 8. Counter-current Jetstream              | 7. Energy meter    |

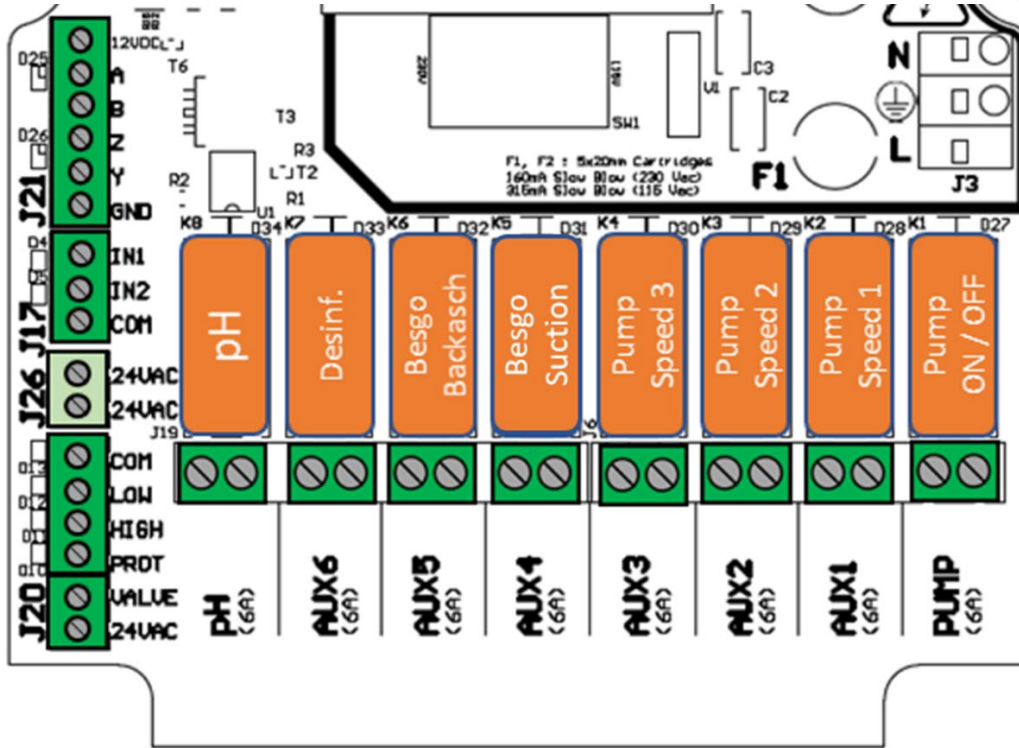
# Warning

**When connecting or disconnecting components, the SPACE MUST be switched off!**





## SPACE DCCU - Auxiliaries (outputs)

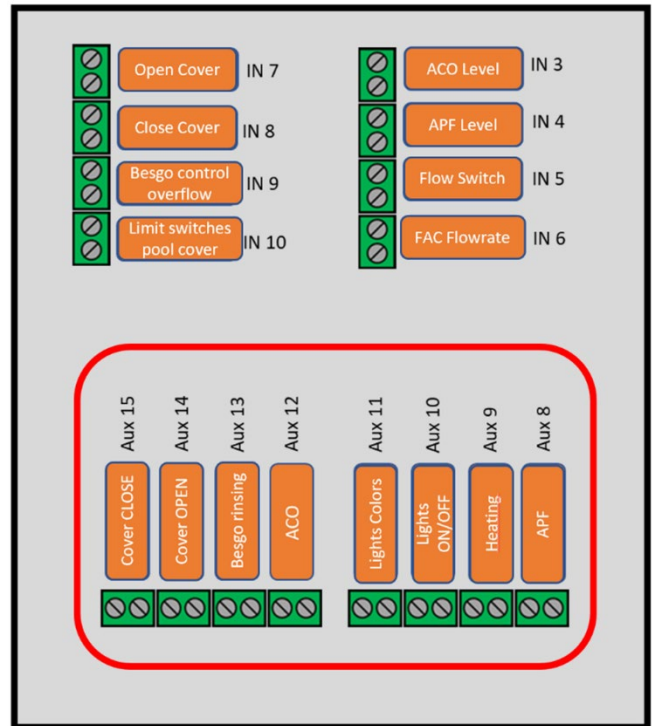


	<u>Output</u>	<u>Function</u>	<u>Default setting</u>	
<b>Standard Outputs</b>	Pump	Relay pump	Pump	Single speed pump configured by default. If a multi-speed pump is declared in the settings, the AUX1, AUX2, AUX3 outputs are automatically assigned to speed control; otherwise AUX1, AUX2, AUX3 are free to use.
	AUX1	Speed 1	Free	
	AUX2	Speed 2	Free	
	AUX3	Speed 3	Free	
	AUX4	Besgo 3-way Suction valve	Free	If a suction valve is declared in the settings, it is automatically assigned to Aux4, otherwise Aux4 is free to use.
	AUX5	Besgo 5-way Backwash valve	Backwash	If a backwash valve is declared in the settings it is automatically assigned to Aux5. Otherwise, Aux5 is free to use.
	AUX6	Disinfection	Disinfection	If ORP disinfection is declared in the settings, the dosage is automatically assigned to Aux6. Otherwise Aux6 is free to use.
	AUX7	pH	pH Minus	AUX7 is reserved in all cases.



## SPACE Extension module

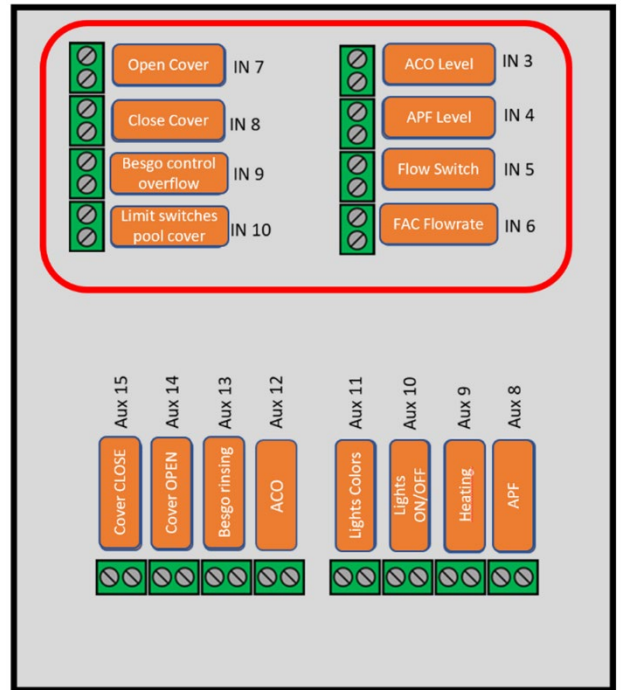
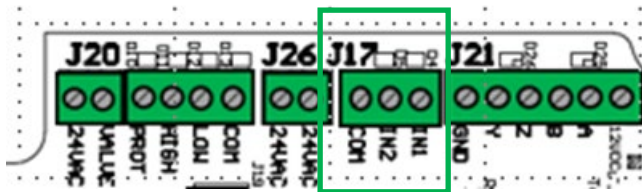
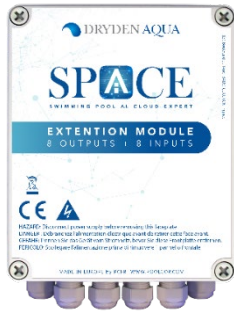
### AUX (outputs)



	<u>Output</u>	<u>Function</u>	<u>Default setting</u>	<u>Comments</u>
<b>SPACE Extension Module</b>	<b>AUX8</b>	<b>Dosage APF</b>	APF	If APF is declared in the settings it is automatically assigned to Aux8, otherwise Aux8 is free to use.
	<b>AUX9</b>	<b>Heating</b>	Heating	The heating system can be assigned to any available Aux. It will be assigned to Aux9 by factory setting but can be reassigned.
	<b>AUX10</b>	<b>Pool lights</b>	Pool lights ON/OFF	The lights can be assigned to any available Aux. It will be assigned to Aux10 by factory setting but can be reassigned.
	<b>AUX11</b>	<b>Pool lights</b>	Colour change	The colour change can be assigned to any available Aux. It will be assigned to Aux11 by factory setting but can be reassigned.
	<b>AUX12</b>	<b>ACO</b>	ACO	If ACO dosing is declared in the settings, it is automatically assigned to Aux12. Otherwise, Aux12 is free to use.
	<b>AUX13</b>	<b>Besgo 3-way rinsing valve</b>	Free	If a Besgo rinsing valve is declared in the settings it is automatically assigned to Aux13, in which case Aux13 can no longer be assigned to manage countercurrent jetstreams.
	<b>AUX14</b>	<b>Pool cover</b>	Free	
	<b>AUX15</b>	<b>Pool cover</b>	Free	

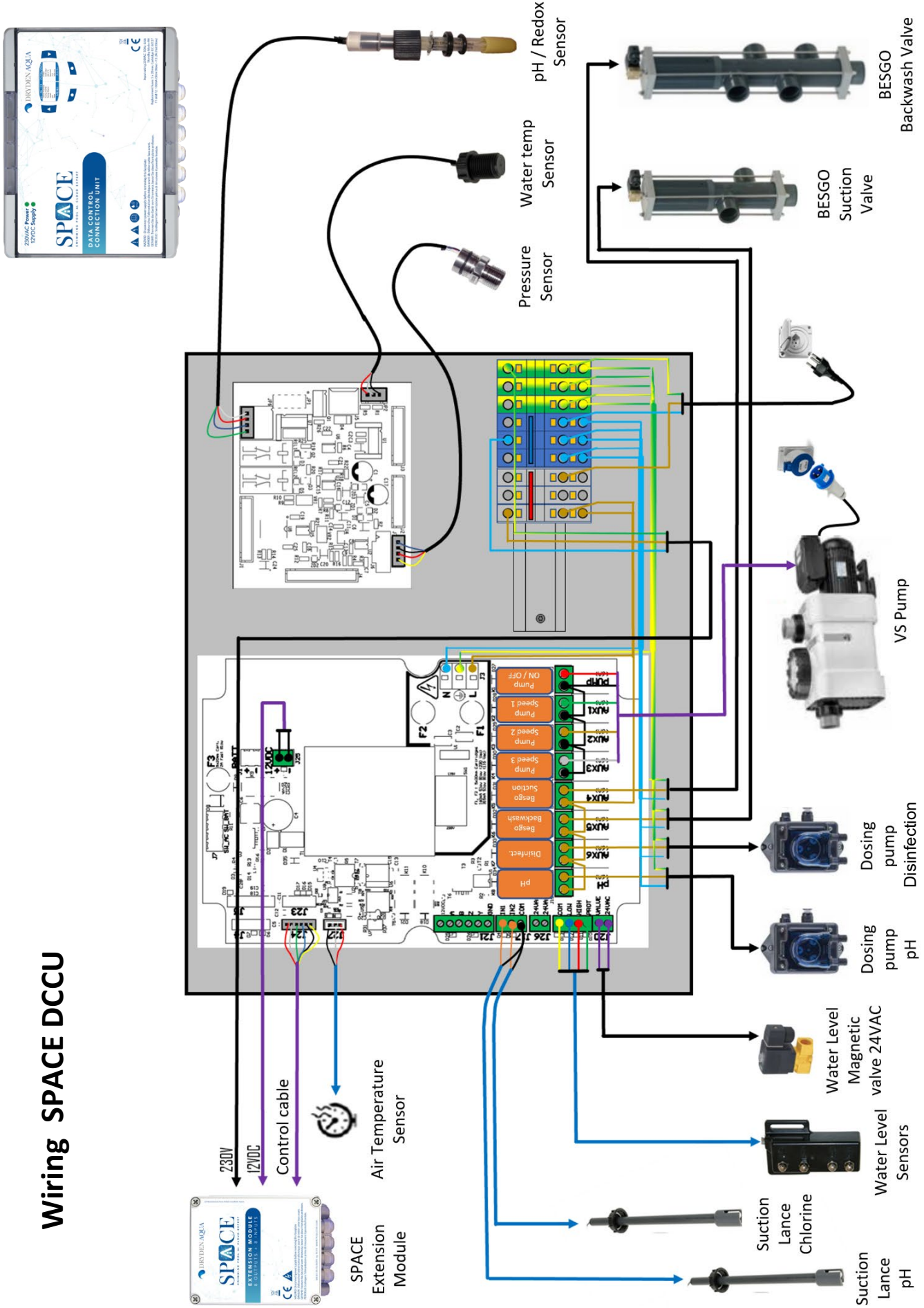


# SPACE extension module : IN (Inputs)



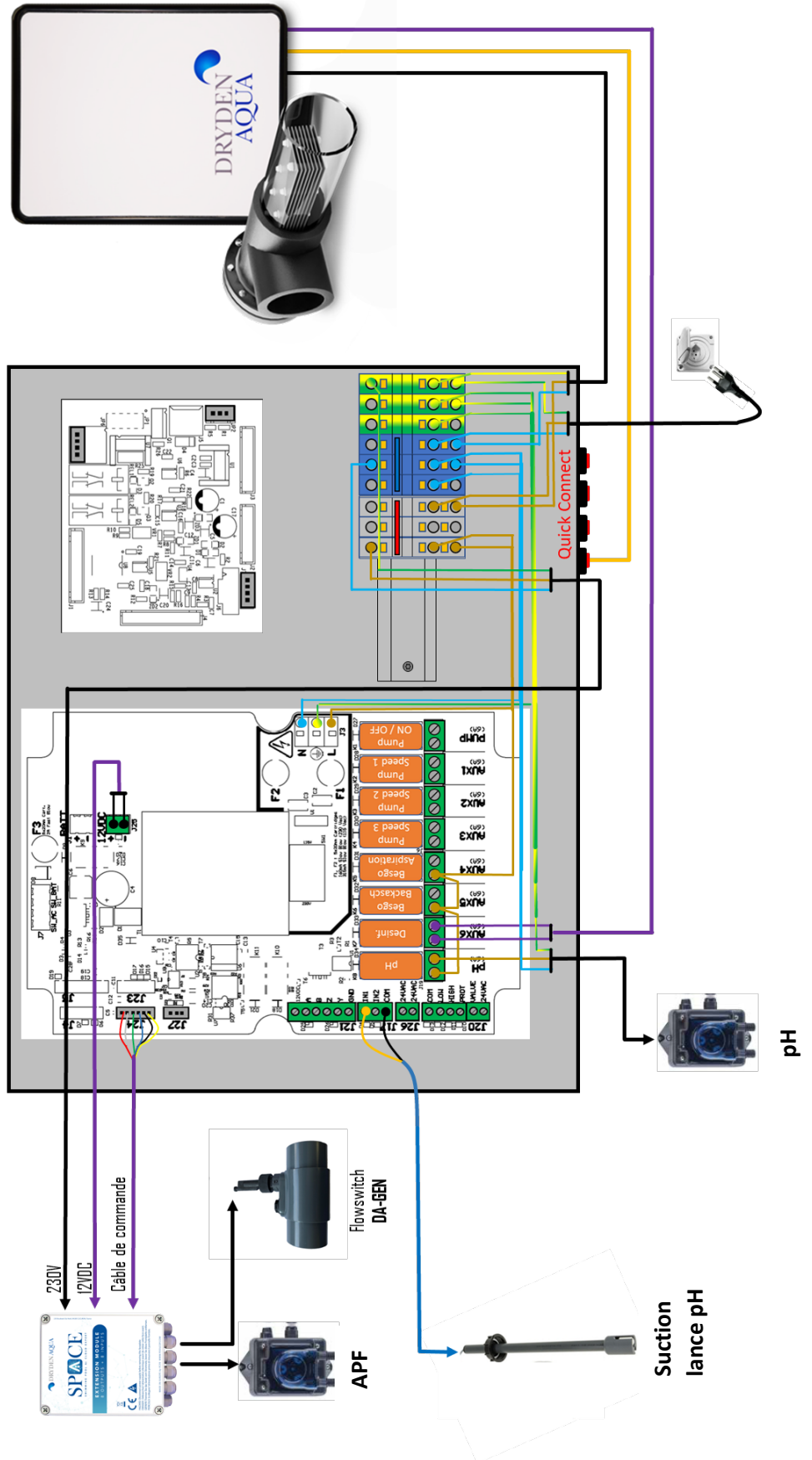
	<u>Input</u>	<u>Function</u>	<u>Default setting</u>	<u>Comments</u>
Standard inputs	IN1	Consumables pH	Consumables pH	pH canister Low level detection with alert.
	IN2	Consumables Cl	Consumables Cl	Cl canister Low level detection with alert.
SPACE Extension Module	IN3	ACO level	Free	Reserved for ACO low level detection with alert.
	IN4	APF level	Free	Reserved for APF low level detection with alert.
	IN5	Flow Switch	Free	Reserved for low flow detection in electrolysis cell with alert.
	IN6	FAC Flowrate	Free	Reserved for flow detection in free chlorine analysis chamber (proximity probe).
	IN7	OPEN Pool cover	Free	Reserved for pool cover key => OPEN.
	IN8	CLOSE Pool cover	Free	Reserved for pool cover key => CLOSE.
	IN9	Besgo control overflow	Free	Besgo suction valve switch to overflow position upon request.
	IN10	Pool cover limit switches	Free	Reserved for pool cover limit switches.

# Wiring SPACE DCCU

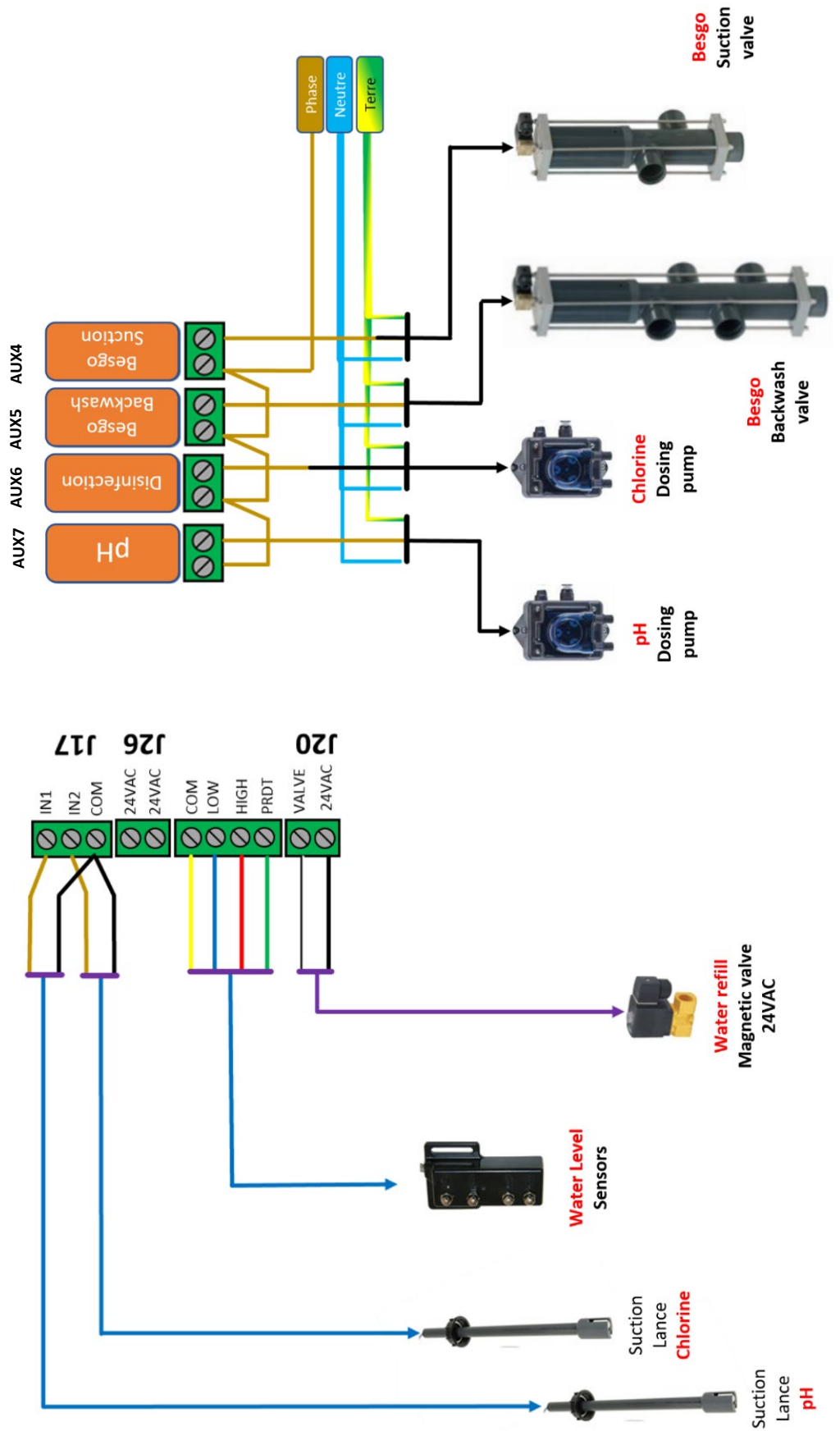




 Pre-wired configuration **SPACE** Panel

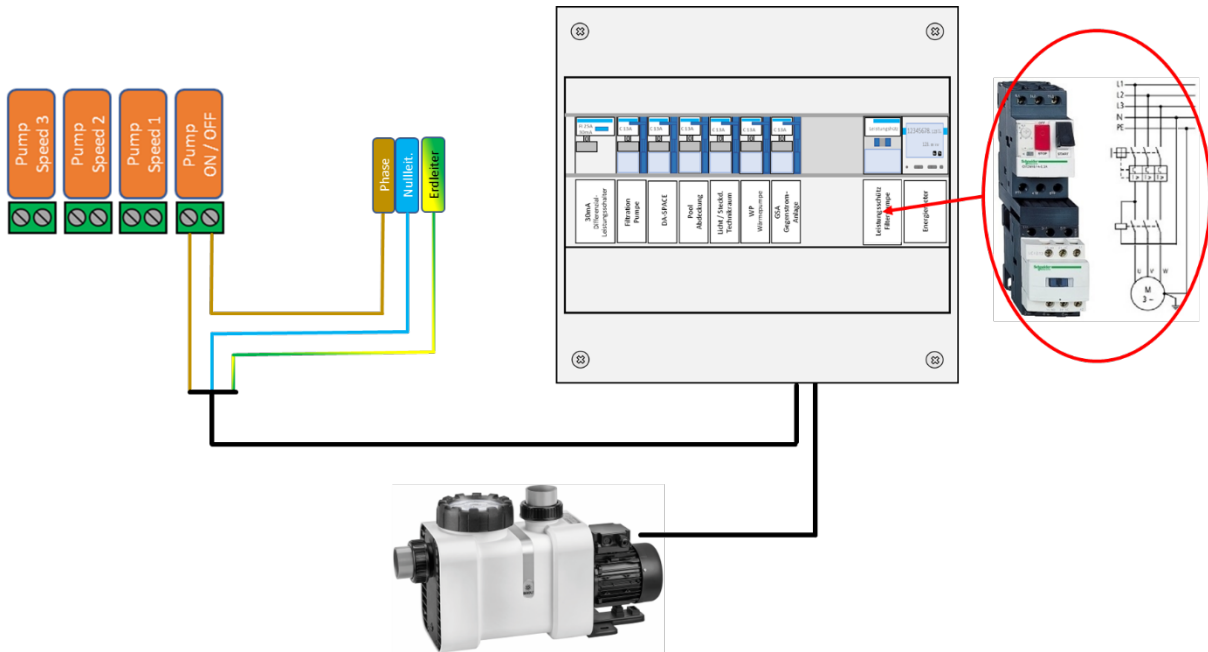


**Connections : Water refill / Besgo backwash valve / Suction Lances / Chlorine and pH dosing pumps**

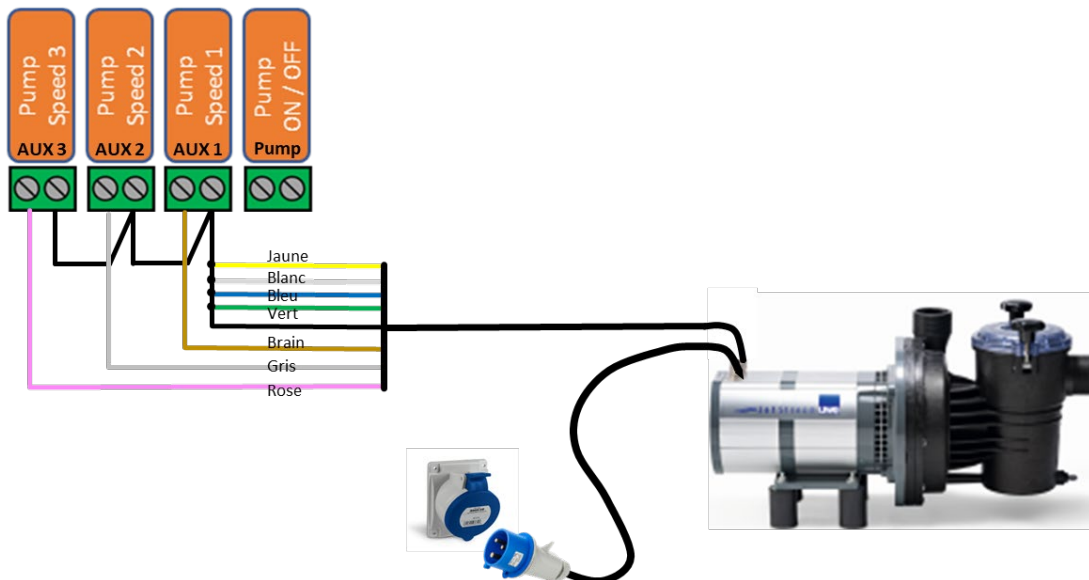


## SINGLE SPEED PUMP 230 V & 400V

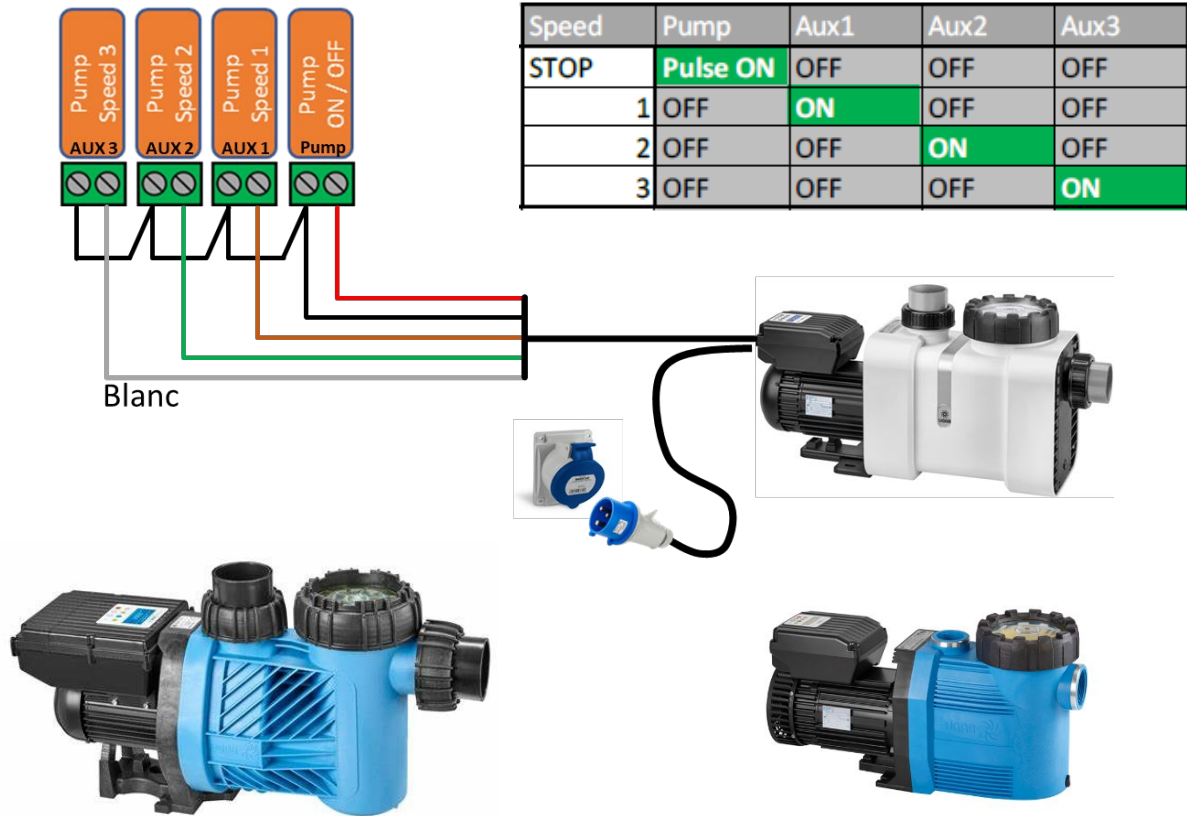
**It is essential to provide : Contactor + Thermal Relay adapted to the pump**



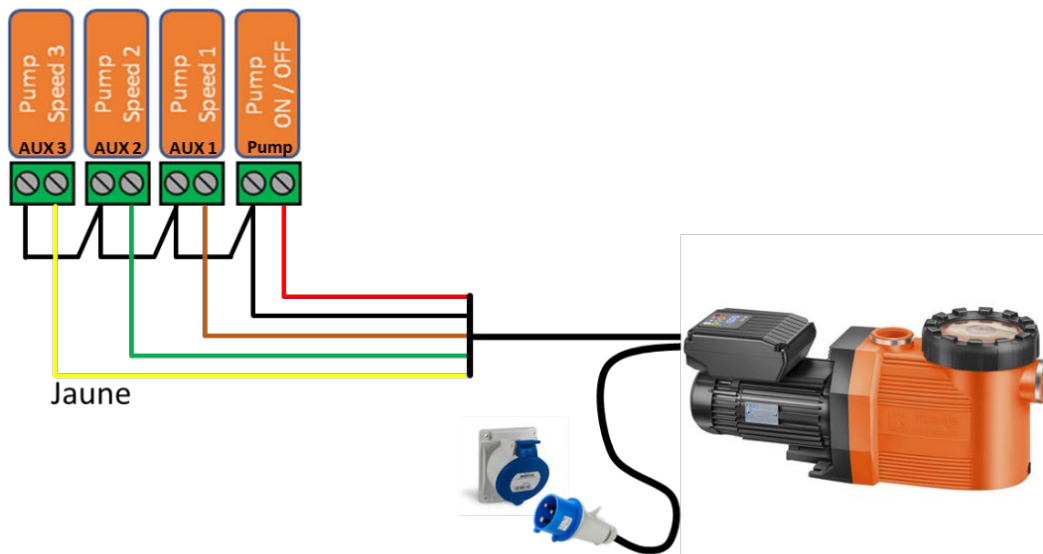
## VS Pump UWE : EO PM



**SPECK : BADU DELTA ECO VS / PRIME ECO VS / PROFI ECO VS / ECO FLEX**

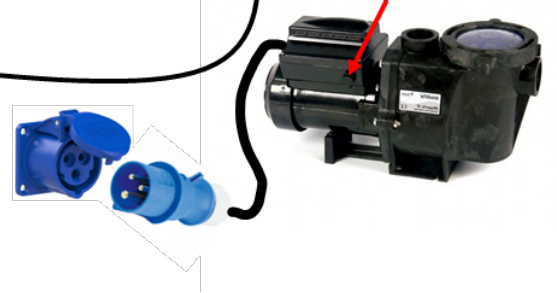
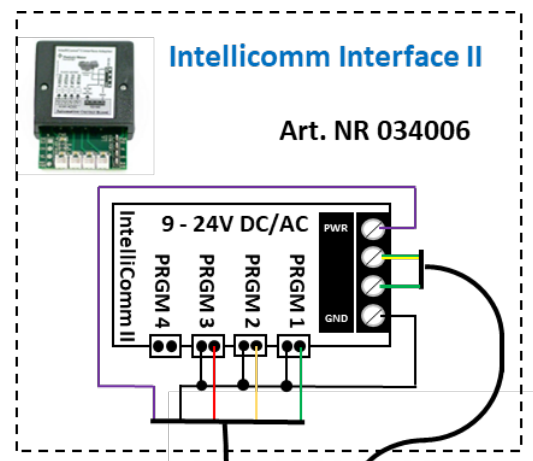
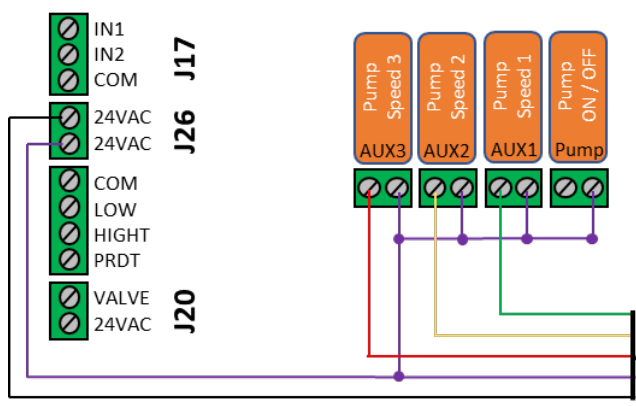


**SPECK BADU 90 Eco VS**

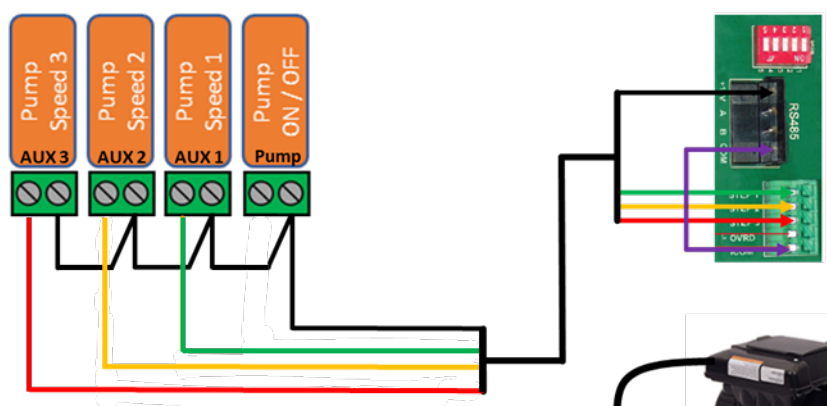


**PENTAIR SuperFlo S5P1R**

Speed	Pump	Aux1	Aux2	Aux3
STOP	OFF	OFF	OFF	OFF
1	ON	OFF	OFF	OFF
2	ON	ON	OFF	OFF
3	ON	OFF	ON	OFF
4	ON	OFF	OFF	ON

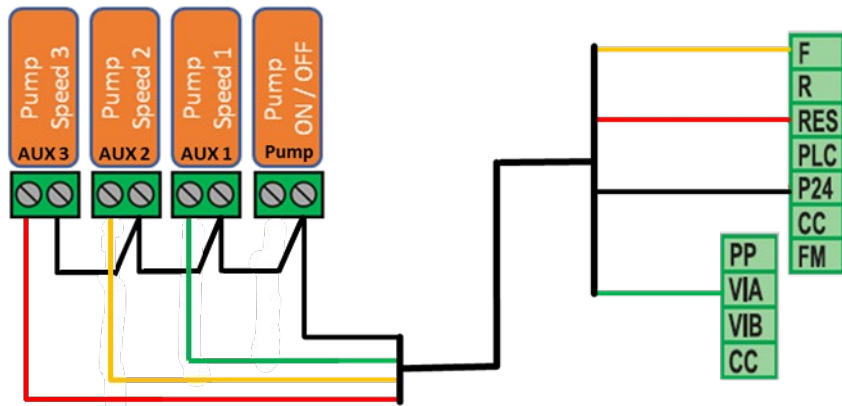


**PENTAIR Superflo S5P1R**

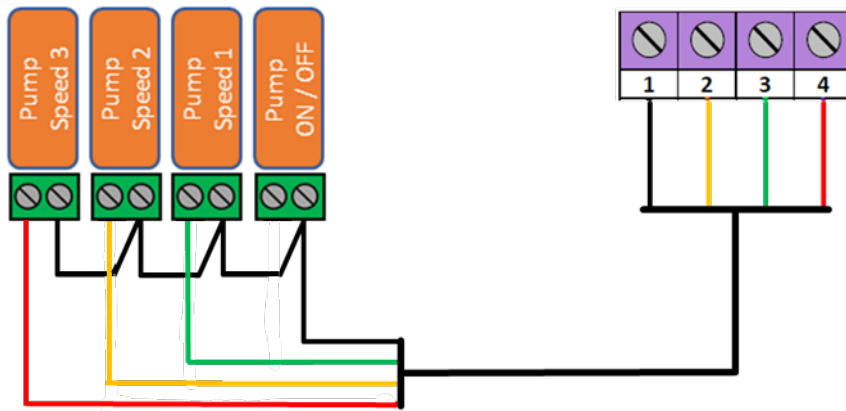


*Frequency controller : SCHNEIDER*

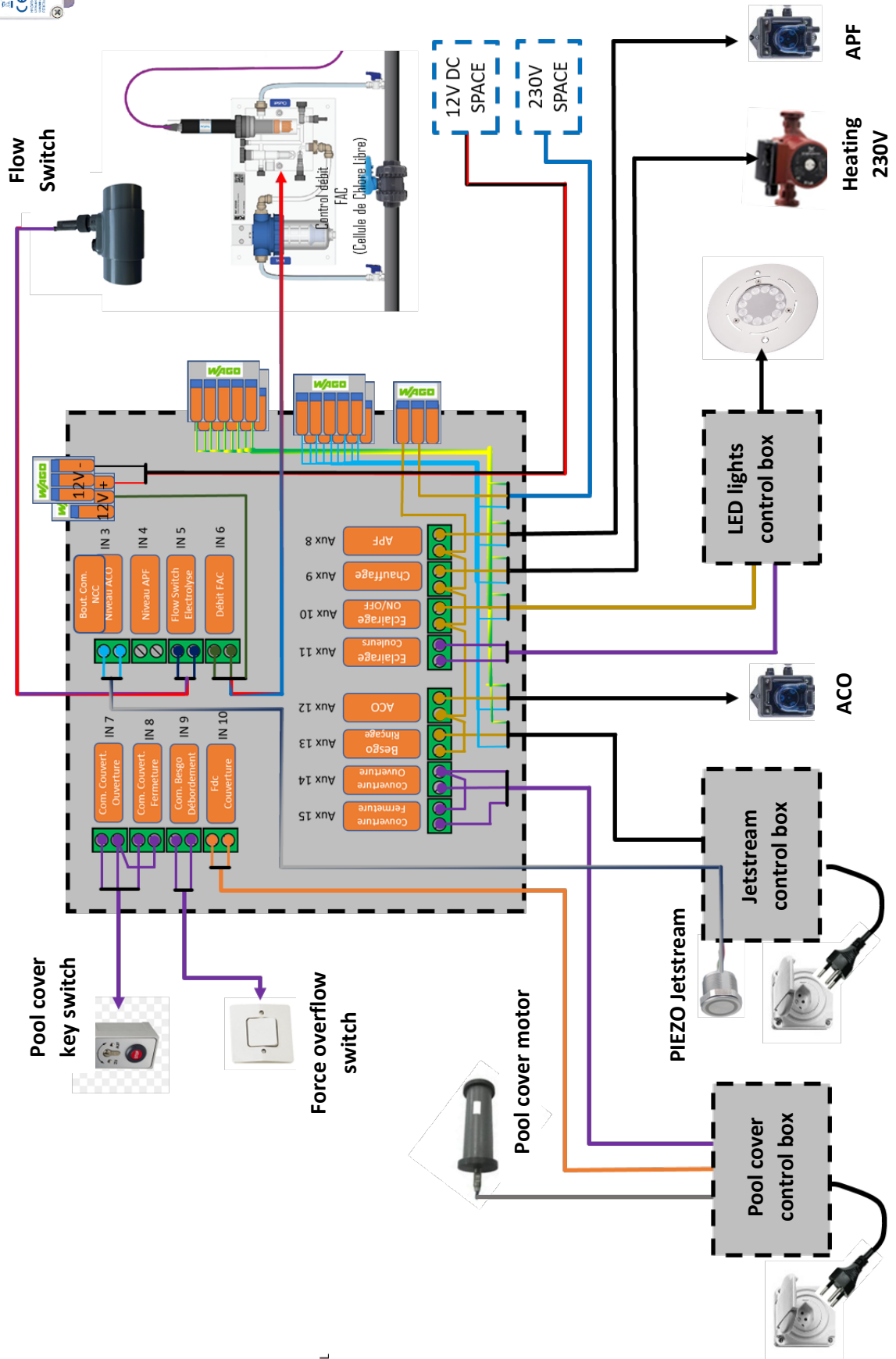
Speed	Pump	Aux1	Aux2	Aux3
STOP	OFF	OFF	OFF	OFF
1	ON	OFF	OFF	OFF
2	ON	ON	OFF	OFF
3	ON	OFF	ON	OFF
4	ON	ON	ON	OFF
5	ON	OFF	OFF	ON



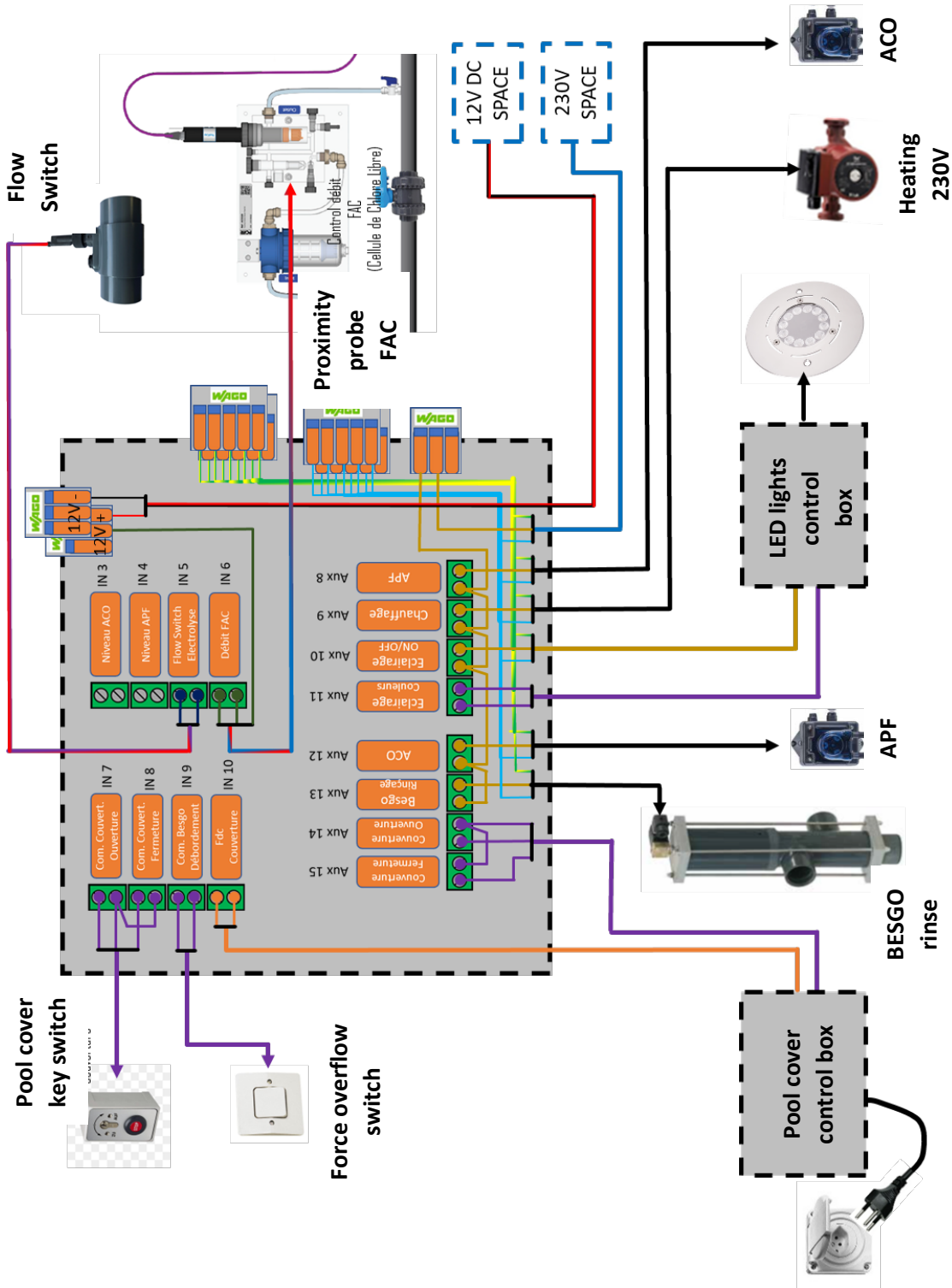
*Frequency controller : Invertek OptiDrive*



# Wiring SPACE Extension Module



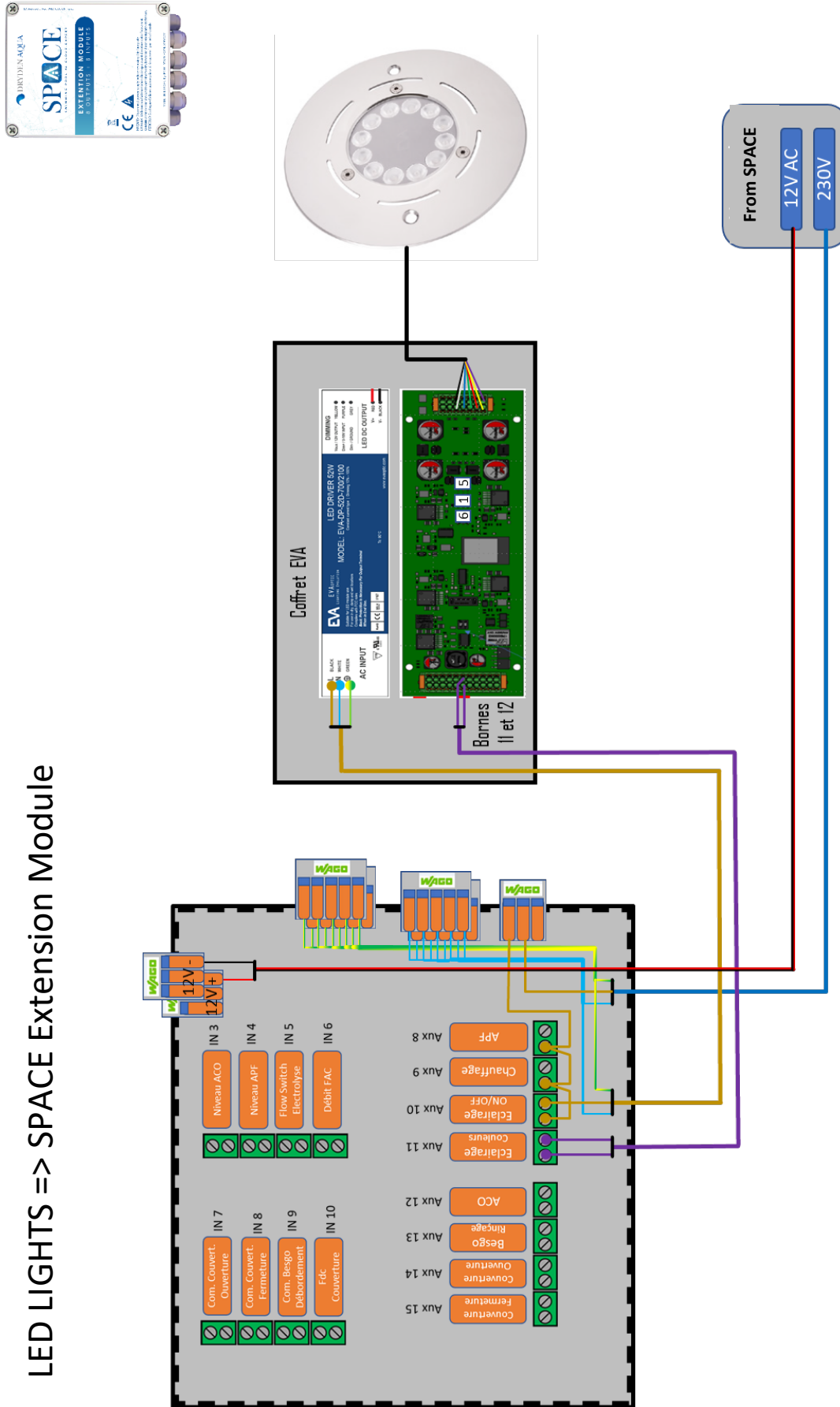
# Wiring SPACE Extension Module





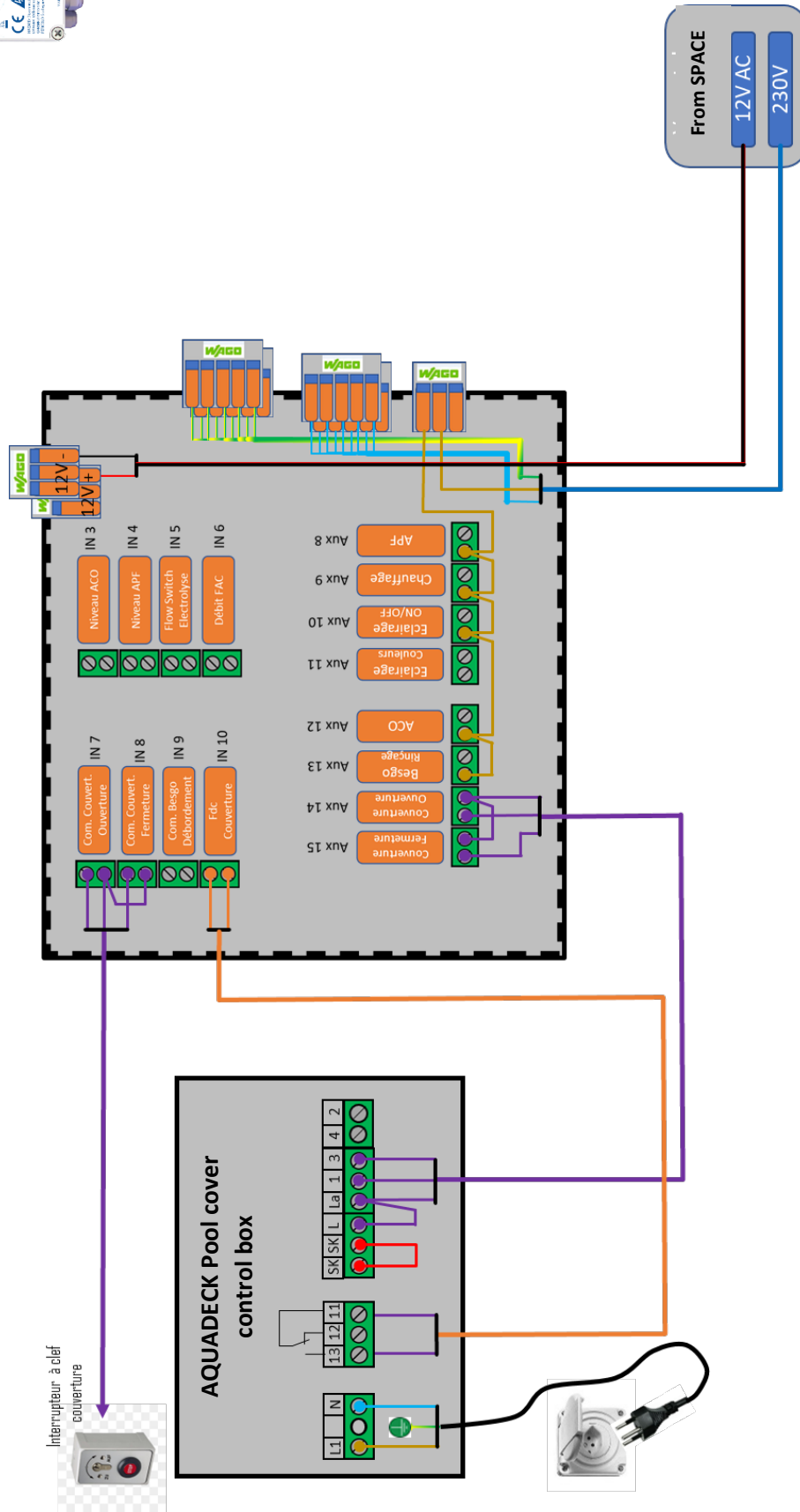
# Wiring

LED LIGHTS => SPACE Extension Module

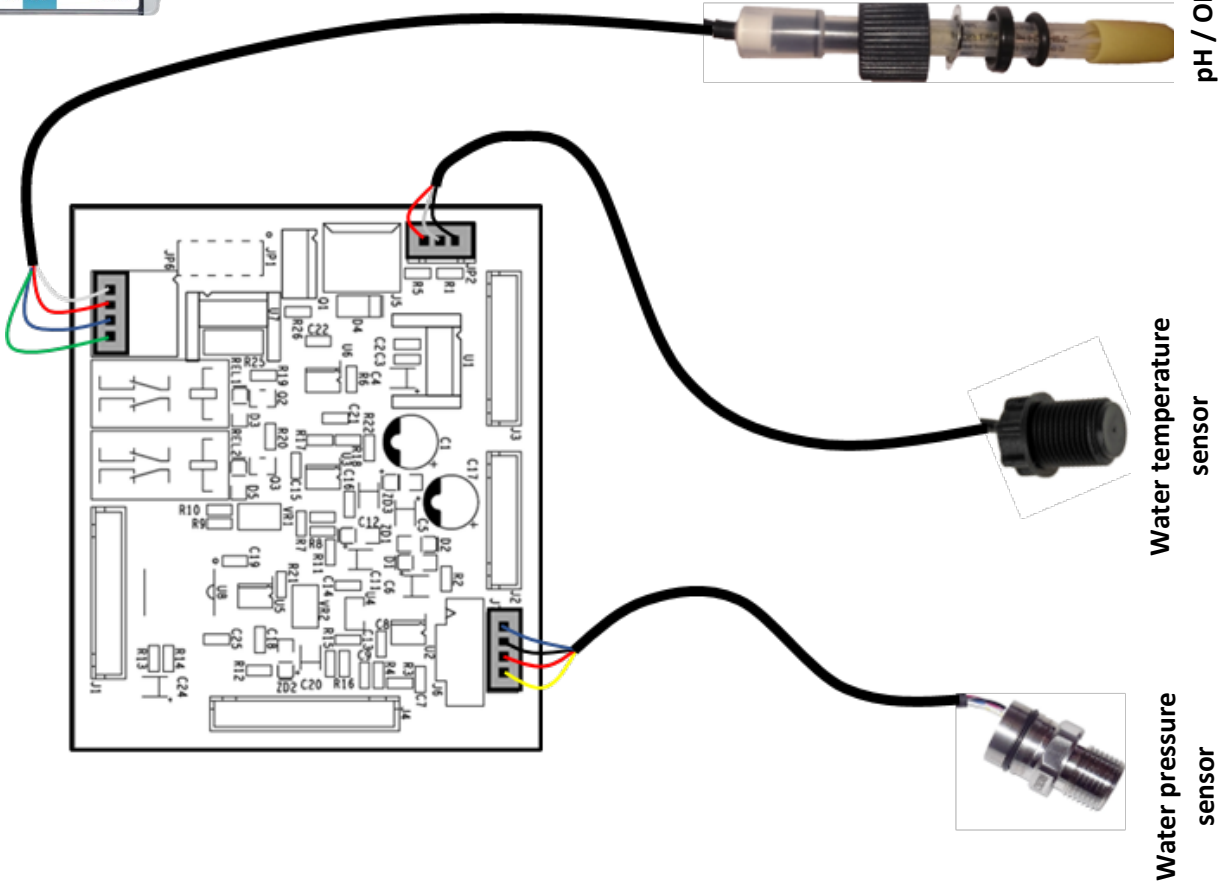


# Wiring

## POOL COVER => SPACE Extension Module



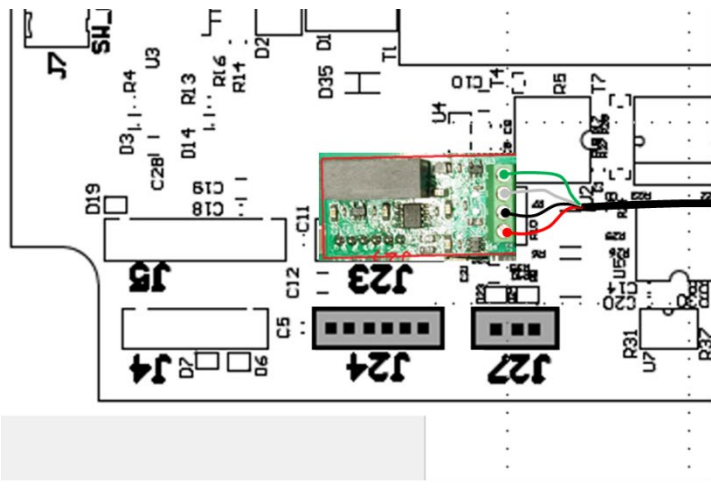
Interrupteur à clef  
couverture



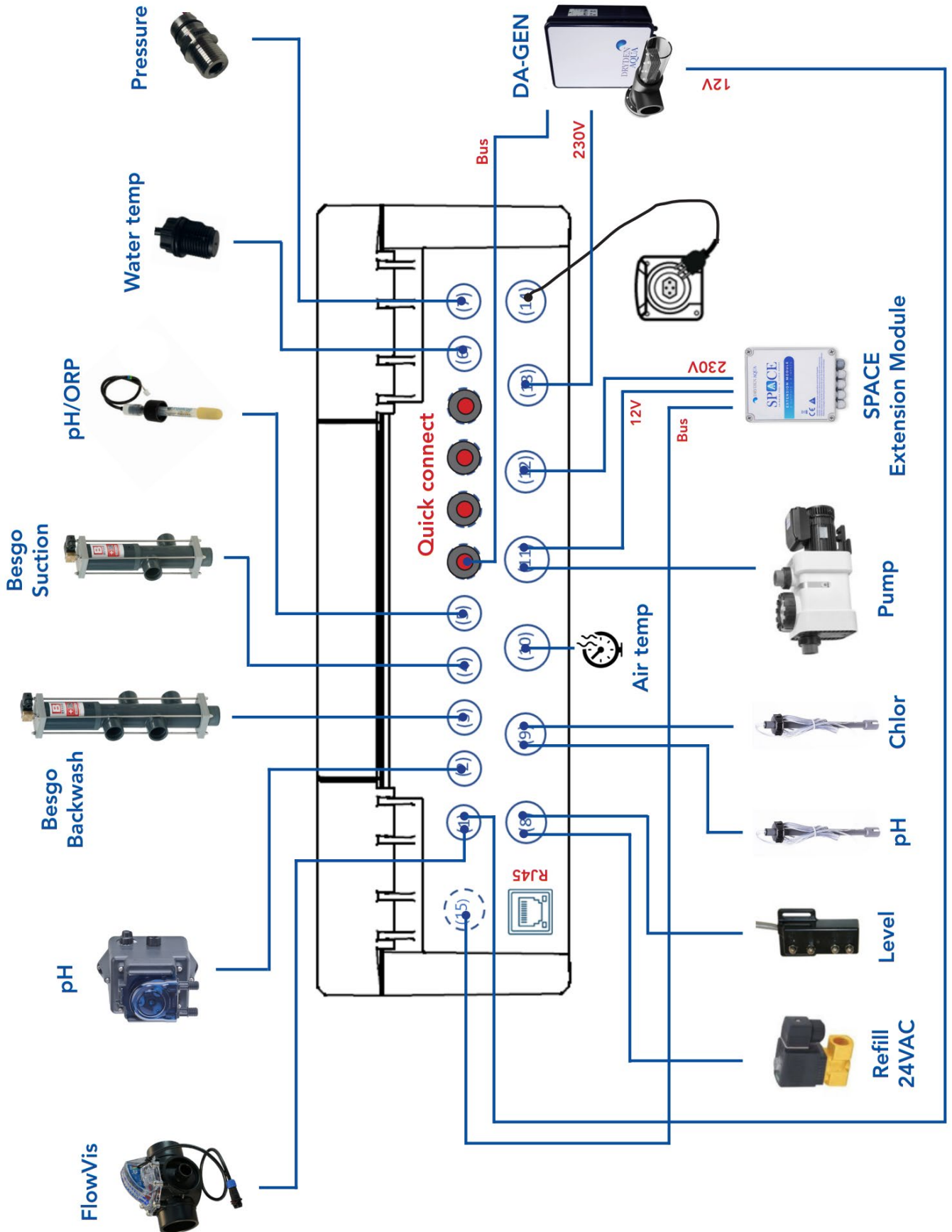
pH / ORP

Water temperature sensor

Water pressure sensor



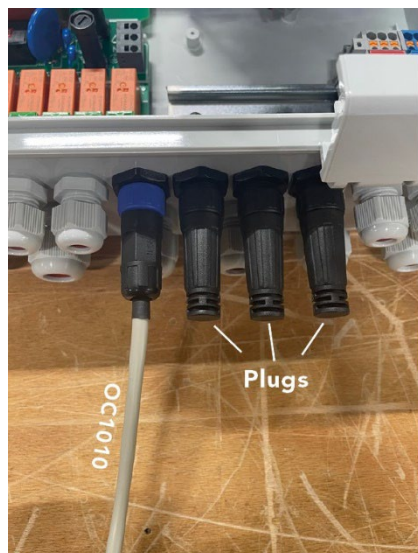
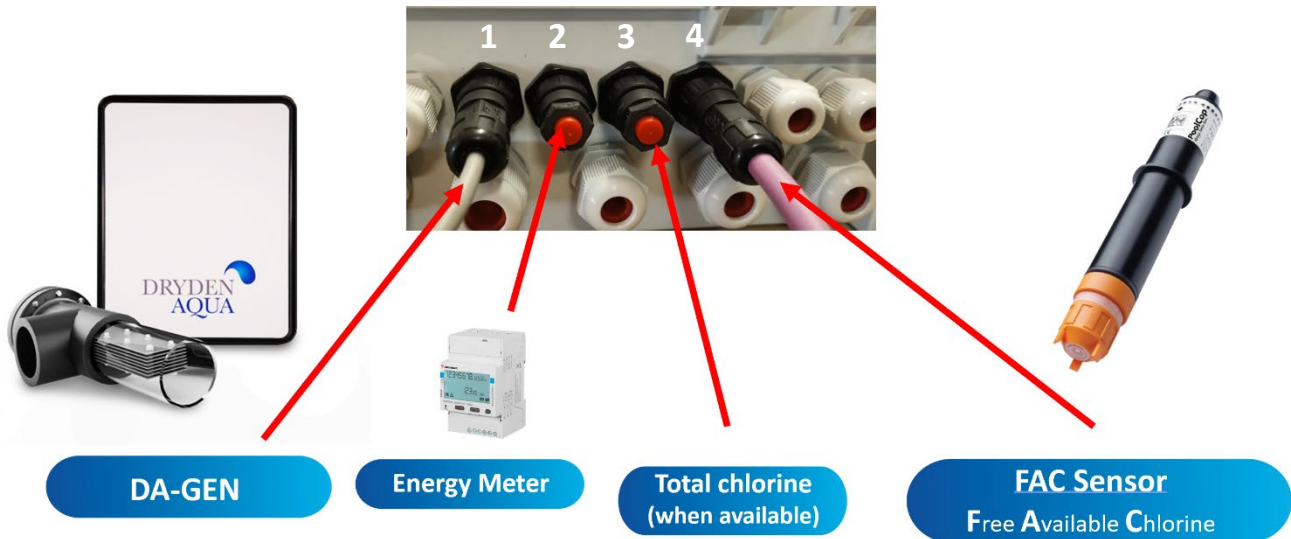
FlowVis flowmeter sensor



## Quick connect box connection

Always use **left connection port (1)** to connect the DA-GEN. FAC Sensor has to be connected on the **right connection port (4)**

See picture below



### Important note:

Always **install plugs** on the connection ports you are not using.

The picture on the left shows an installation using the quick connect box only for the DA-GEN.